

Oct. 30, 1962

R. E. CORRIGAN ET AL

3,060,795

APPARATUS FOR PRODUCING VISUAL STIMULATION

Filed May 7, 1958

11 Sheets-Sheet 1

FIG. 1.

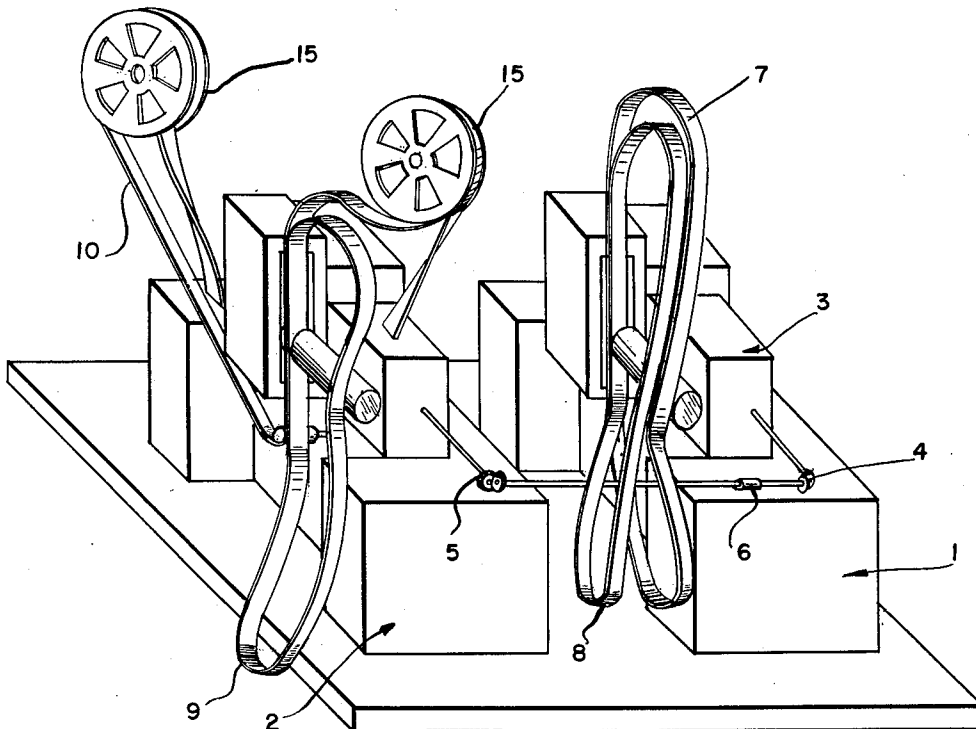


FIG. 2.

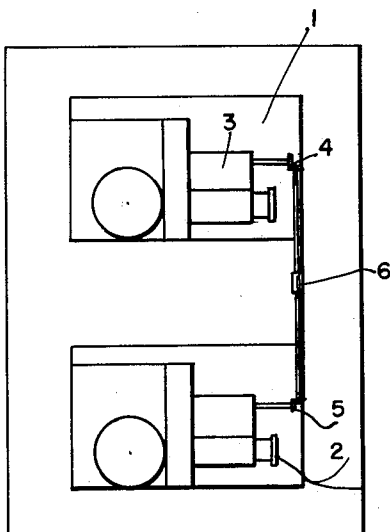
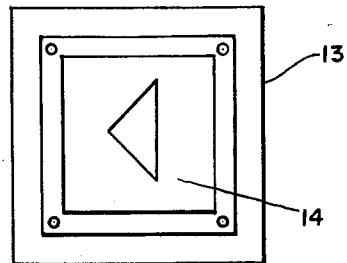


FIG. 1a.



INVENTORS

ROBERT E. CORRIGAN
HAL C. BECKER

BY *Cushman Barlow Cushman*
ATTORNEYS

Oct. 30, 1962

R. E. CORRIGAN ET AL

3,060,795

APPARATUS FOR PRODUCING VISUAL STIMULATION

Filed May 7, 1958

11 Sheets-Sheet 2

FIG. 3.

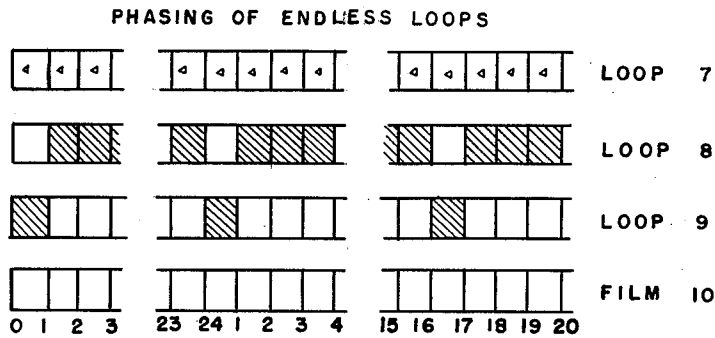


FIG. 4.

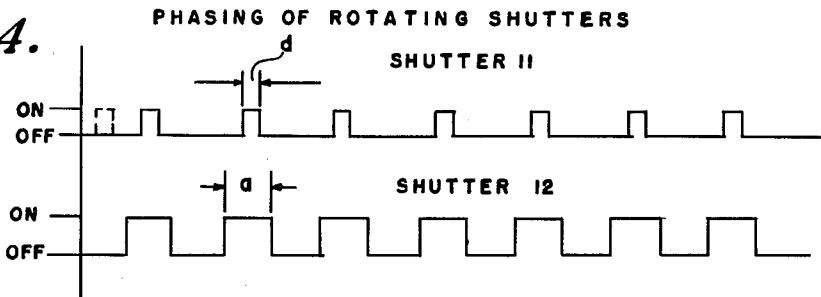
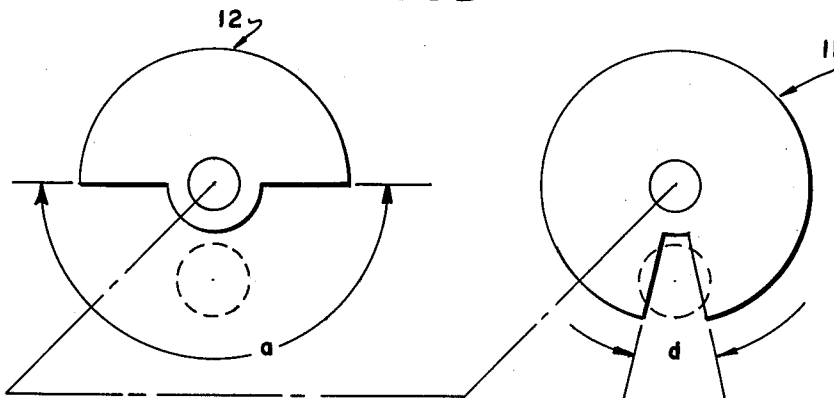


FIG. 5.



INVENTORS
ROBERT E. CORRIGAN
HAL C. BECKER

BY *Cushman, Darby & Cushman*
ATTORNEYS

Oct. 30, 1962

R. E. CORRIGAN ET AL

3,060,795

APPARATUS FOR PRODUCING VISUAL STIMULATION

Filed May 7, 1958

11 Sheets-Sheet 3

FIG. 6.

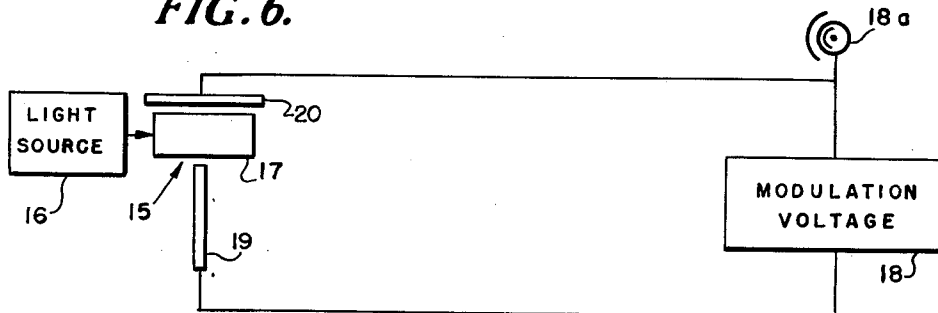
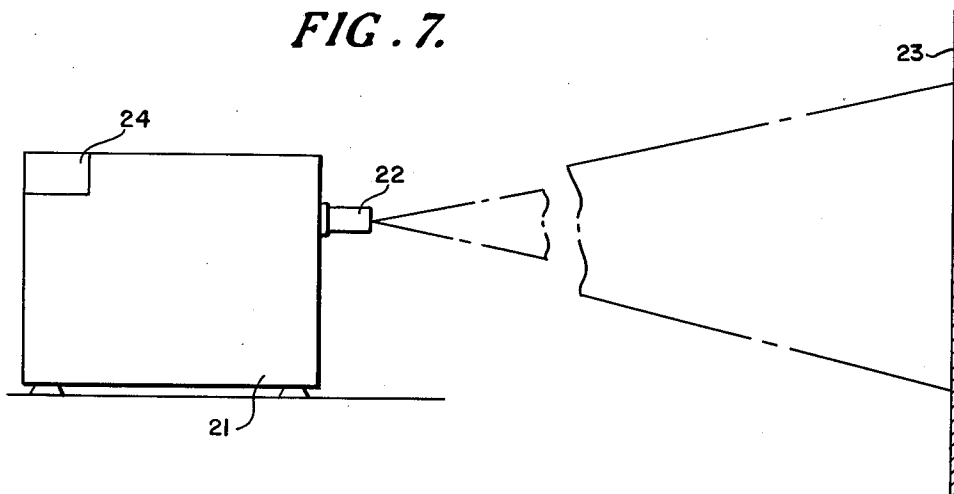


FIG. 7.



INVENTORS
ROBERT E. CORRIGAN
HAL C. BECKER

BY *Cushman, Darby & Cushman*
ATTORNEYS

Oct. 30, 1962

R. E. CORRIGAN ET AL

3,060,795

APPARATUS FOR PRODUCING VISUAL STIMULATION

Filed May 7, 1958

11 Sheets-Sheet 4

FIG. 8.

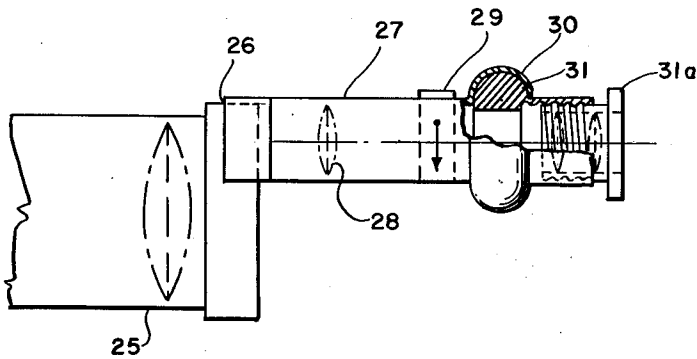
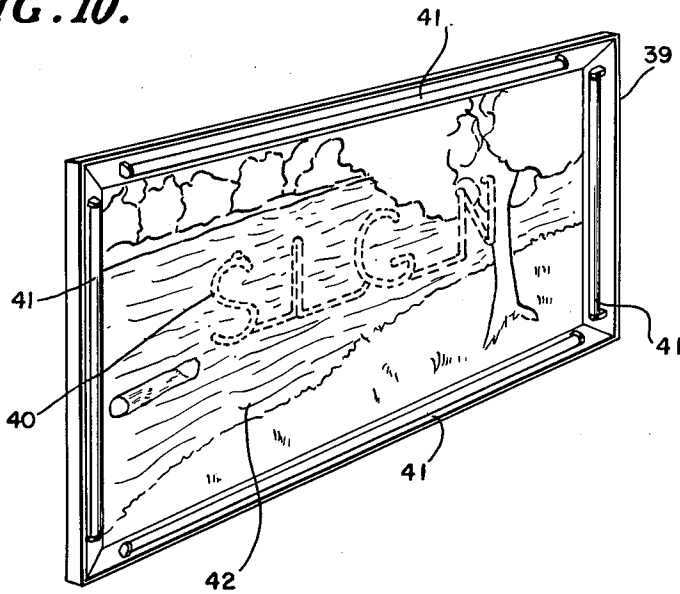


FIG. 10.



INVENTORS

ROBERT E. CORRIGAN
HAL C. BECKER

BY

Cushman, Dabney & Cushman
ATTORNEYS

Oct. 30, 1962

R. E. CORRIGAN ET AL

3,060,795

APPARATUS FOR PRODUCING VISUAL STIMULATION

Filed May 7, 1958

11 Sheets-Sheet 5

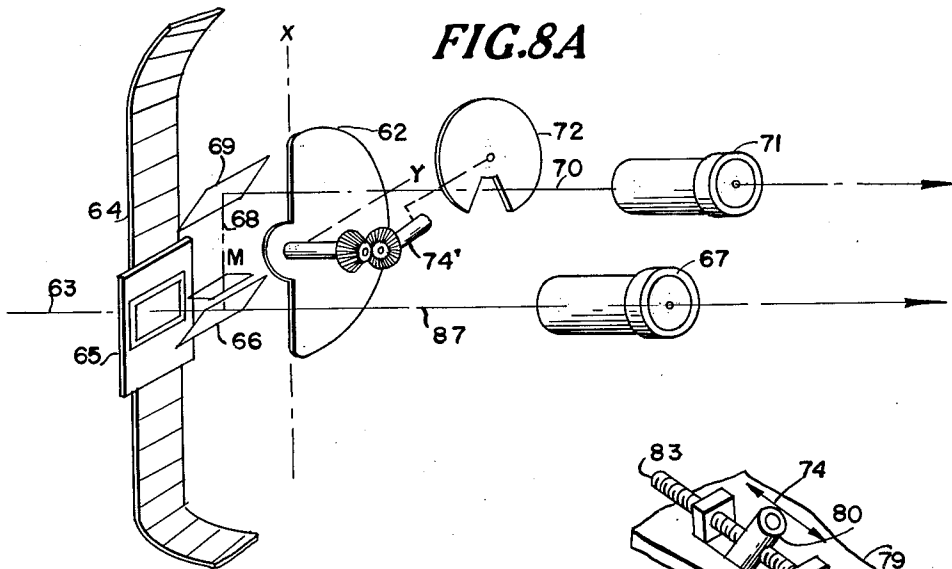


FIG. 8A

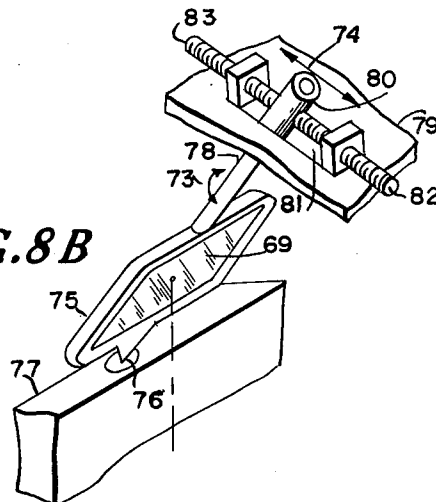


FIG. 8B

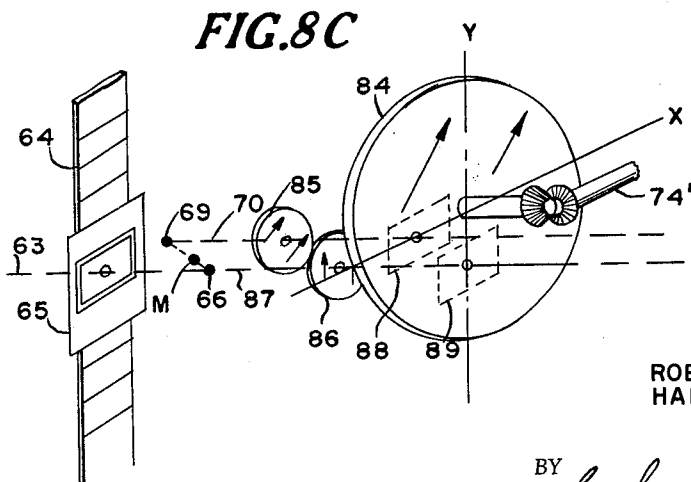


FIG. 8C

INVENTORS

ROBERT E. CORRIGAN
HAL C. BECKER

BY *Cushman, Darby & Cushman*
ATTORNEYS

Oct. 30, 1962

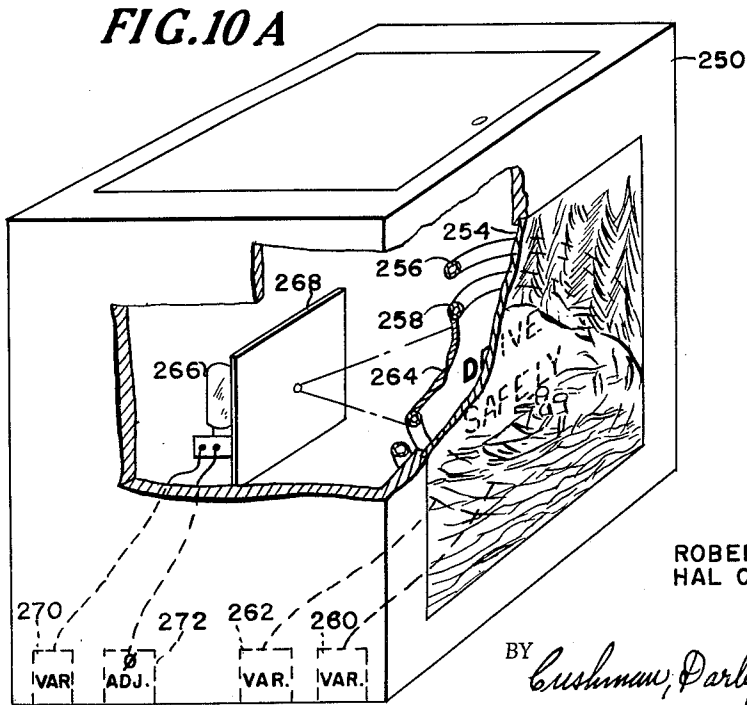
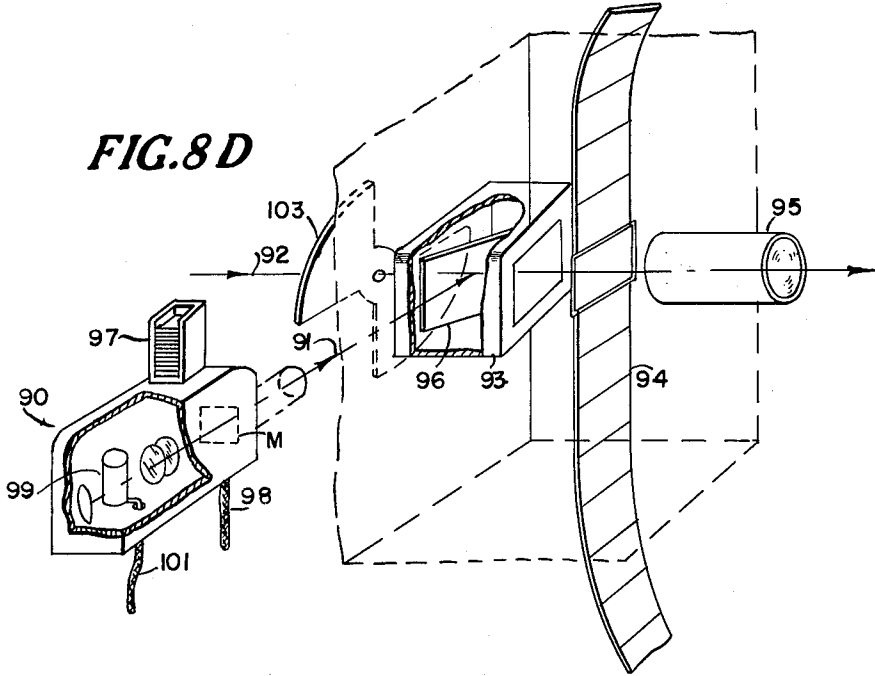
R. E. CORRIGAN ET AL

3,060,795

APPARATUS FOR PRODUCING VISUAL STIMULATION

Filed May 7, 1958

11 Sheets-Sheet 6



INVENTORS
ROBERT E. CORRIGAN
HAL C. BECKER

BY *Cushman, Parley & Cushman*
ATTORNEYS

Oct. 30, 1962

R. E. CORRIGAN ET AL

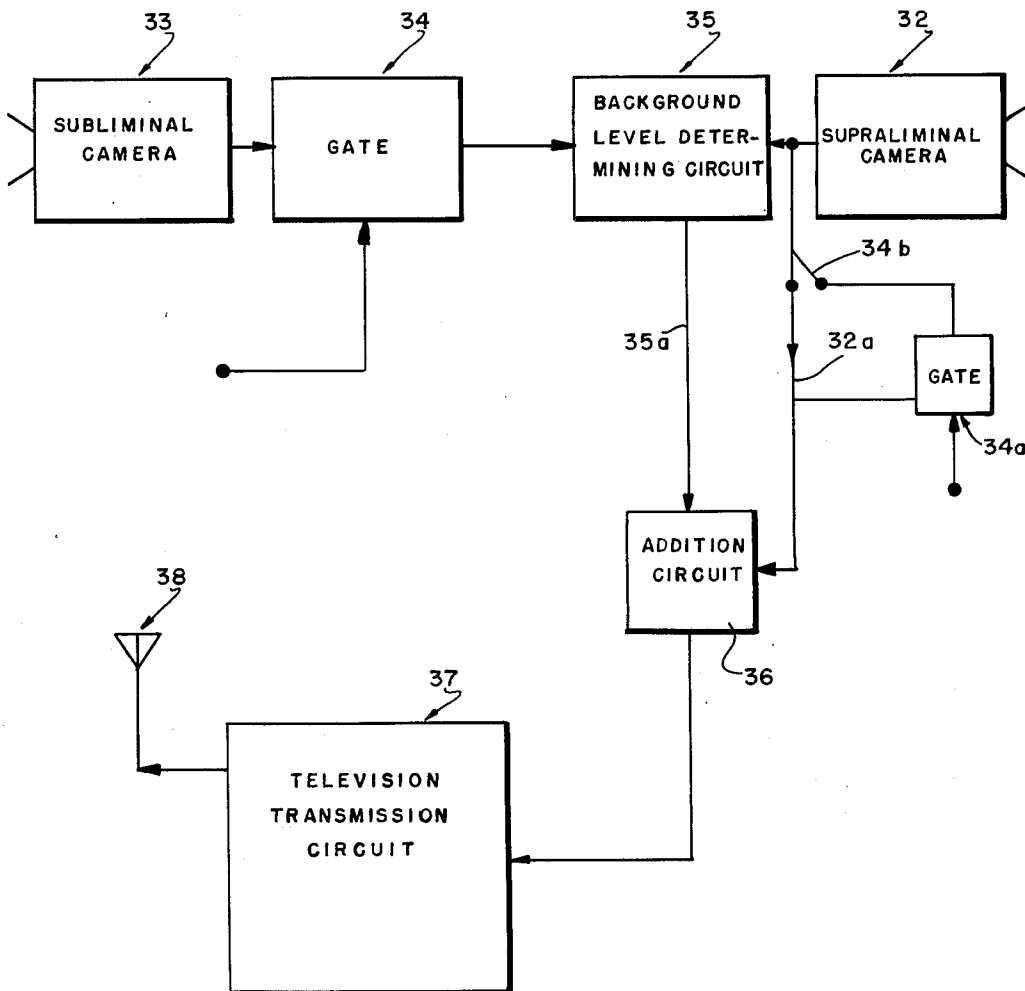
3,060,795

APPARATUS FOR PRODUCING VISUAL STIMULATION

Filed May 7, 1958

11 Sheets-Sheet 7

FIG. 9.



INVENTORS

ROBERT E. CORRIGAN
HAL C. BECKER

BY *Cushman, Dwyer & Cushman*
ATTORNEYS

Oct. 30, 1962

R. E. CORRIGAN ET AL

3,060,795

APPARATUS FOR PRODUCING VISUAL STIMULATION

Filed May 7, 1958

11 Sheets-Sheet 8

FIG. 10 B.

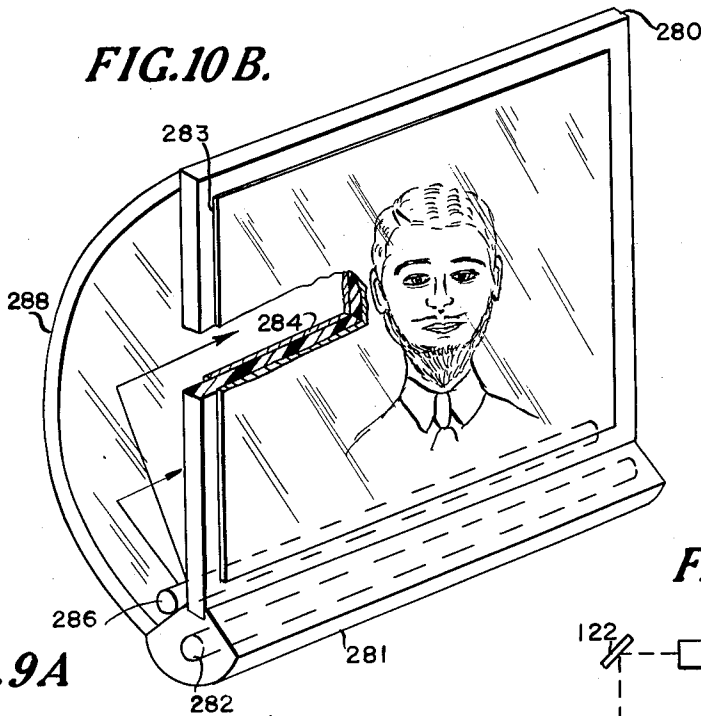


FIG. 9A

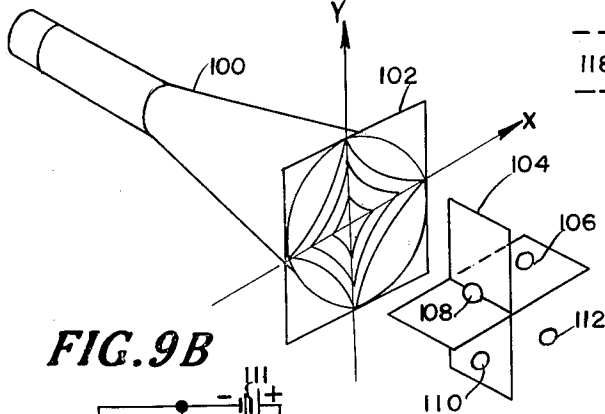


FIG. 9B

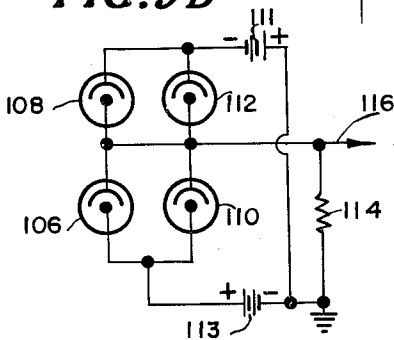
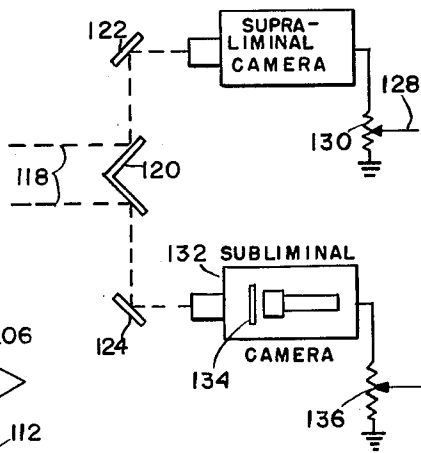


FIG. 9C



INVENTORS
ROBERT E. CORRIGAN
HAL C. BECKER

BY *Cushman, Darby & Cushman*
ATTORNEYS

Oct. 30, 1962

R. E. CORRIGAN ET AL

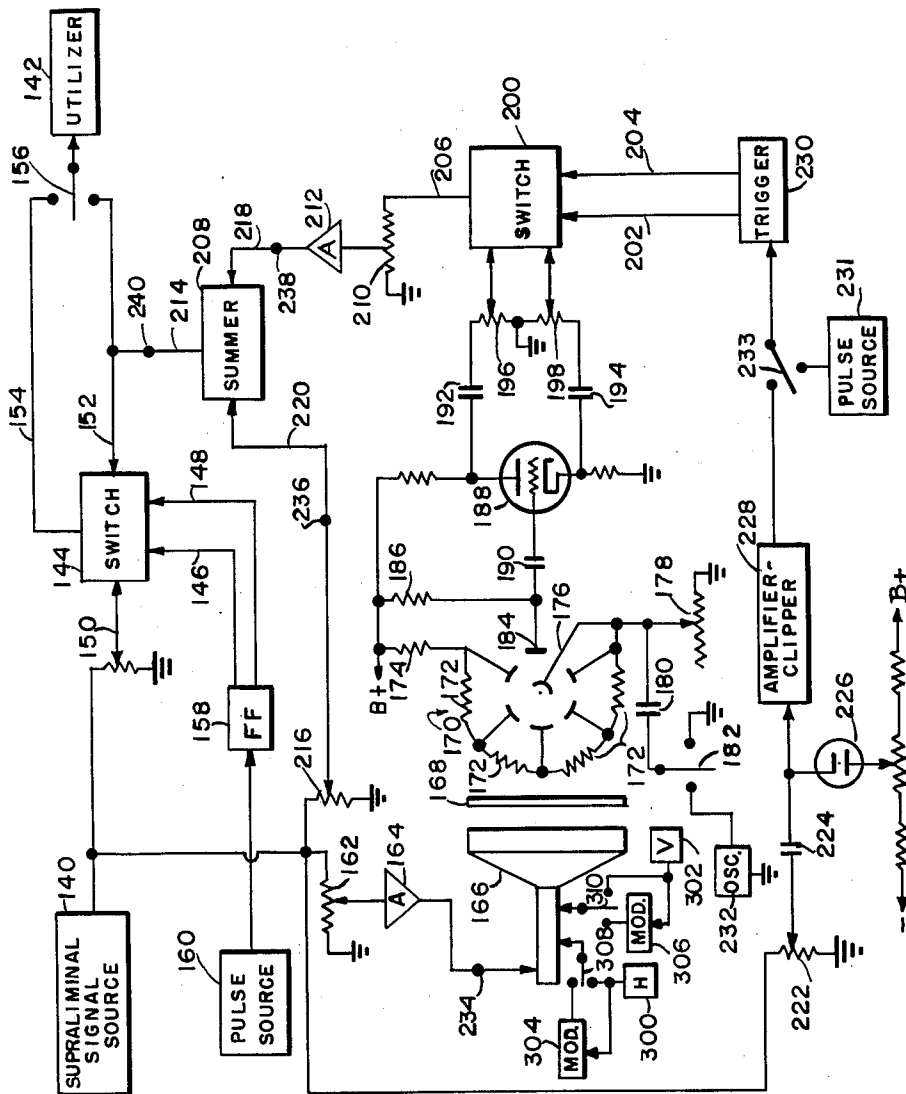
3,060,795

APPARATUS FOR PRODUCING VISUAL STIMULATION

Filed May 7, 1958

11 Sheets-Sheet 9

FIG. 9D.



INVENTORS

ROBERT E. CORRIGAN
HAL C. BECKER

BY *Cushman, Darby & Cushman*
ATTORNEYS

Oct. 30, 1962

R. E. CORRIGAN ET AL

3,060,795

APPARATUS FOR PRODUCING VISUAL STIMULATION

Filed May 7, 1958

11 Sheets-Sheet 10

FIG. 11.

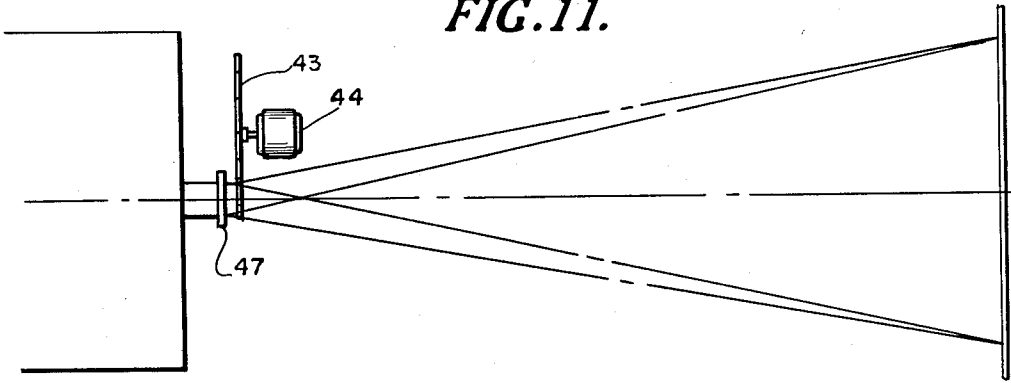


FIG. 12.

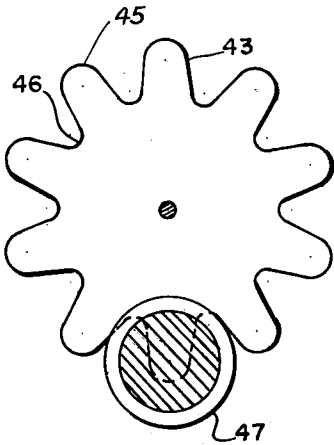
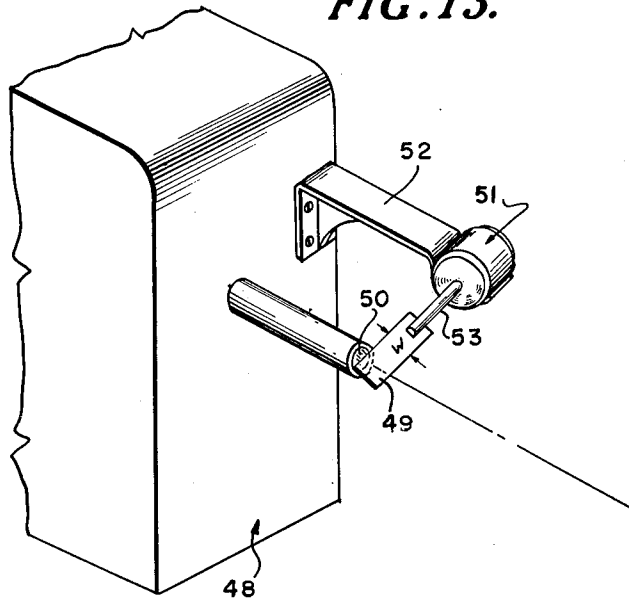


FIG. 13.



INVENTORS

ROBERT E. CORRIGAN

HAL C. BECKER

BY *Cushman, Darby & Cushman*
ATTORNEYS

Oct. 30, 1962

R. E. CORRIGAN ET AL

3,060,795

APPARATUS FOR PRODUCING VISUAL STIMULATION

Filed May 7, 1958

11 Sheets-Sheet 11

